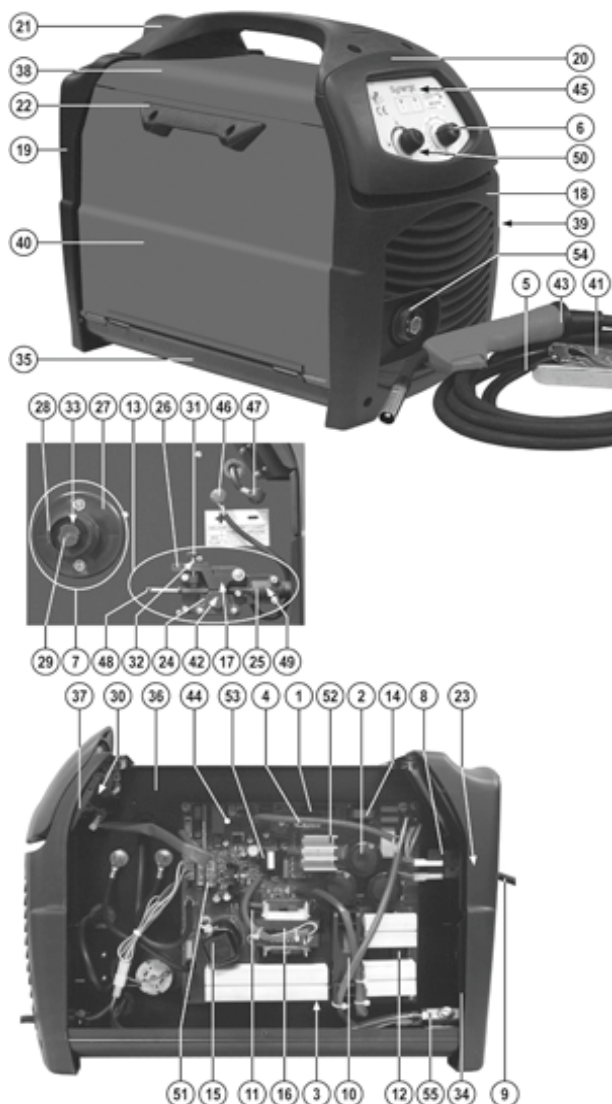


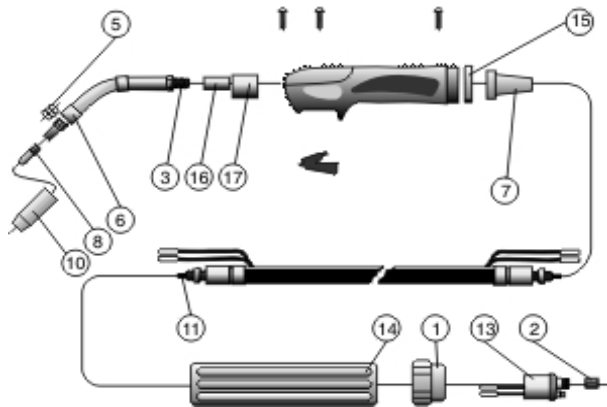
## Technomig 180 Dual Synergic Euro



Ref.	Description	Key
0	PCB KIT PLUG-IN	981491
0	KIT IGBT + DIODE	981293
1	RESISTANCE	112048
2	CAPACITOR	112514
3	DIODE	116839
4	RELAIS	992494
5	CABLE 16 MMQ 1,8 M	120302
6	KNOB	121394
7	REEL KIT	990288
8	SWITCH	122381
9	MAINS CABLE 3G1.5 2 M SCHUKO PLUG	132155
10	FAN	992512
11	CURRENT TRANSFORMER	152230
13	WIRE FEED MOTOR	153038
14	FILTER INDUCTANCE	164741
15	OUTPUT INDUCTANCE	169781
16	POWER TRAF0	169772
17	PRESSURE ROLL	232105
18	FRONT PANEL	321091
19	BACK PANEL	321093
20	FRONT PROTECTION	321094
21	HANDLE	321095
22	DOOR KNOB	321102
23	CABLE BUSHING	322112
24	ROLL SUPPORT	322126
25	TORCH FIXING CASING	322127
26	PRESSURE ROLL BRACKET	322128
27	SPINDLE	322172
28	REEL RING NUT	322173
29	REEL HANDWHEEL	322174
30	GUIDE	322898
31	WIRE FEED HANDWHEEL	422257
32	SPRING	452022

Ref.	Description	Key
33	REEL SPRING	452065
34	BACK PANEL	642275
35	BOTTOM	645580
36	DIAPHRAGM	645585
37	FRONT PANEL	645596
38	COVER	651189
39	SIDE PANEL	656103
40	DOOR	656105
41	TOLEDO 250 WORK CLAMP 250A	712030
42	FEED ROLL D. 0,6-0,9 MM FE/FLUX	722529
43	MT15 MIG TORCH 3 M 220 A	742180
44	COMPLETE PCB KIT	981426
45	KIT FRONT PANEL CARD	981308
46	RED CHARGING CLAMP KIT	981309
47	KIT BLACK CHARGING CLAMP	981310
48	GAS HOSE KIT	990097
49	GEARS KIT	990257
50	POTENTIOMETER	112017
51	RELAIS	111926
52	RECTIFIER	116346
53	TRANSFORMER X FLYBACK	169700
54	TORCH CONNECTION	723051
55	ELECTROVALVE	122035

### MT15 MIG Torch 3M 220 A



Ref.	Description	Key
1	RING NUT	722007
2	LINER NUT	722013
3	SWAN NECK DIFFUSER	722305
5	NOZZLE SPRING	722319
6	DIFFUSER INSULATION	722326
7	TORCH HOLDER	742172
8	CONTACT TIP D. 0,8 MM FE	722416
8	CONTACT TIP D. 0,6 MM FE	722415
10	CYLINDRICAL NOZZLE	722149
10	CONICAL NOZZLE	722423
11	WIRE GUIDE HOSE D. 1-1,2 MM 3 M	722689
11	WIRE GUIDE HOSE D. 0,6-0,8 MM 3 M	722437
13	TORCH ASSY	722441
14	TORCH CONNECTION	742175
15	TORCH RING NUT	742171
16	TORCH CONNECTION	722325
17	TORCH CONNECTION INSULATION	722693