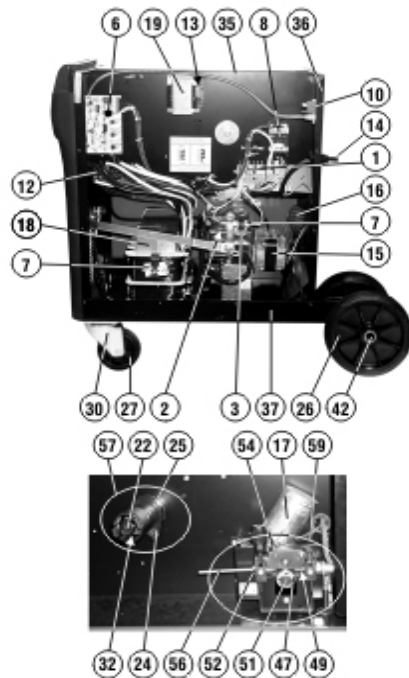
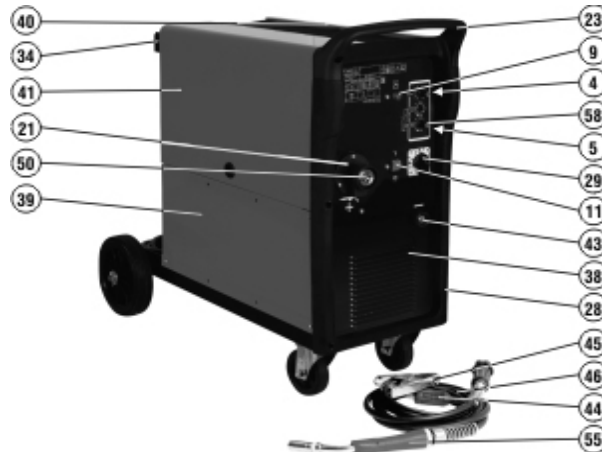


821064

Master MIG 220/2

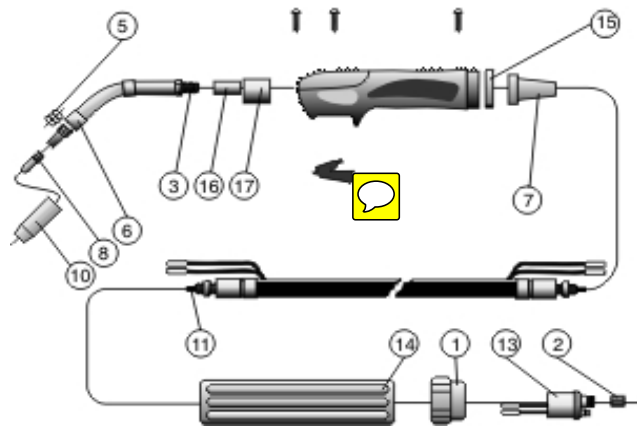


Ref.	Description	Key
1	CHANGING VOLTAGE CARD	112165
2	RECTIFIER PROTECTION	112182
3	RECTIFIER	112315
4	POTENTIOMETER	112363
5	POTENTIOMETER	112380
6	TIMER CONTROL PCB KIT	980714
7	THERMOSTAT	122132
8	CONTACTOR	122459
9	YELLOW PILOT LAMP	122594
10	ELECTRO-VALVE	122682
11	SWITCH	122725
12	SWITCH	122826
13	FUSE	122879
14	MAINS CABLE 4G2.5 3 M	132039
15	FAN MOTOR	152110
16	FAN BLADE	152111
17	WIRE FEED MOTOR	153028
18	TRANSFORMER	164086
19	AUXILIARY TRANSFORMER	164991
21	TORCH CONNECTION PROTECTION	312105
22	REEL HANDWHEEL	312137
23	HANDLE	312328
24	REEL	322081
25	SPACER	322180
26	FIXED WHEEL	322200
27	WHEEL	322246
28	FRAME	322698
29	SWITCH KNOB SET	323101
30	SWIVEL SUPPORT	422969
31	ARGON GAS BOTTLE IT ADAPTOR	432036
32	REEL SPRING	452057
33	TORCH HOOK	644444
34	BRACKET FOR BOTTLE	644606

Ref.	Description	Key
35	DIAPHRAGM	645112
36	BACK PANEL	645113
37	BOTTOM	645114
38	FRONT PANEL	649633
39	SIDE PANEL	651034
40	COVER KIT	980872
41	DOOR KIT	980912
42	WHEELS AXLE	681092
43	DINSE SOCKET DX 25	712035
44	DINSE PLUG DX 25	712039
45	TOLEDO 250 WORK CLAMP 250A	712030
46	CABLE 16 MMQ 3 M - DINSE 25	123437
47	FEED ROLL D. 0.6-0.8	722112
48	GAS REGULATOR 2 MANOMETERS	722119
49	WIRE CONDUIT Ø 2X5	722358
50	TORCH CONNECTION	723186
51	ROLLERFIXING SCREW	742397
52	WIRE GUIDE INLET	742064
53	FEED ROLL D.0,8-1 AL	742090
54	ANCHOR FOR PRESSURE ROLLER	742096
55	MT15 MIG TORCH 3 M 220 A	742180
56	GAS HOSE KIT	990097
57	REEL KIT	990264
58	KNOB	121395
59	KIT 2 ROLLS WIREFEEDER	990632

821064

Master MIG 220/2



Ref.	Description	Key
1	RING NUT	722007
2	LINER NUT	722013
3	SWAN NECK DIFFUSER	722305
5	NOZZLE SPRING	722319
6	DIFFUSER INSULATION	722326
7	TORCH HOLDER	742172
8	CONTACT TIP Ø 0,8 MM	722416
8	CONTACT TIP Ø 0,6 MM	722415
10	CYLINDRICAL NOZZLE	722149
10	CONICAL NOZZLE	722423
11	WIRE GUIDE HOSE Ø 1-1,2 MM 3 M	722689
11	LINER D. 0,6-0,8 3M	722437
13	TORCH ASSY	722441
14	TORCH CONNECTION	742175
15	TORCH RING NUT	742171
16	TORCH CONNECTION	722325
17	TORCH CONNECTION INSULATION	722693